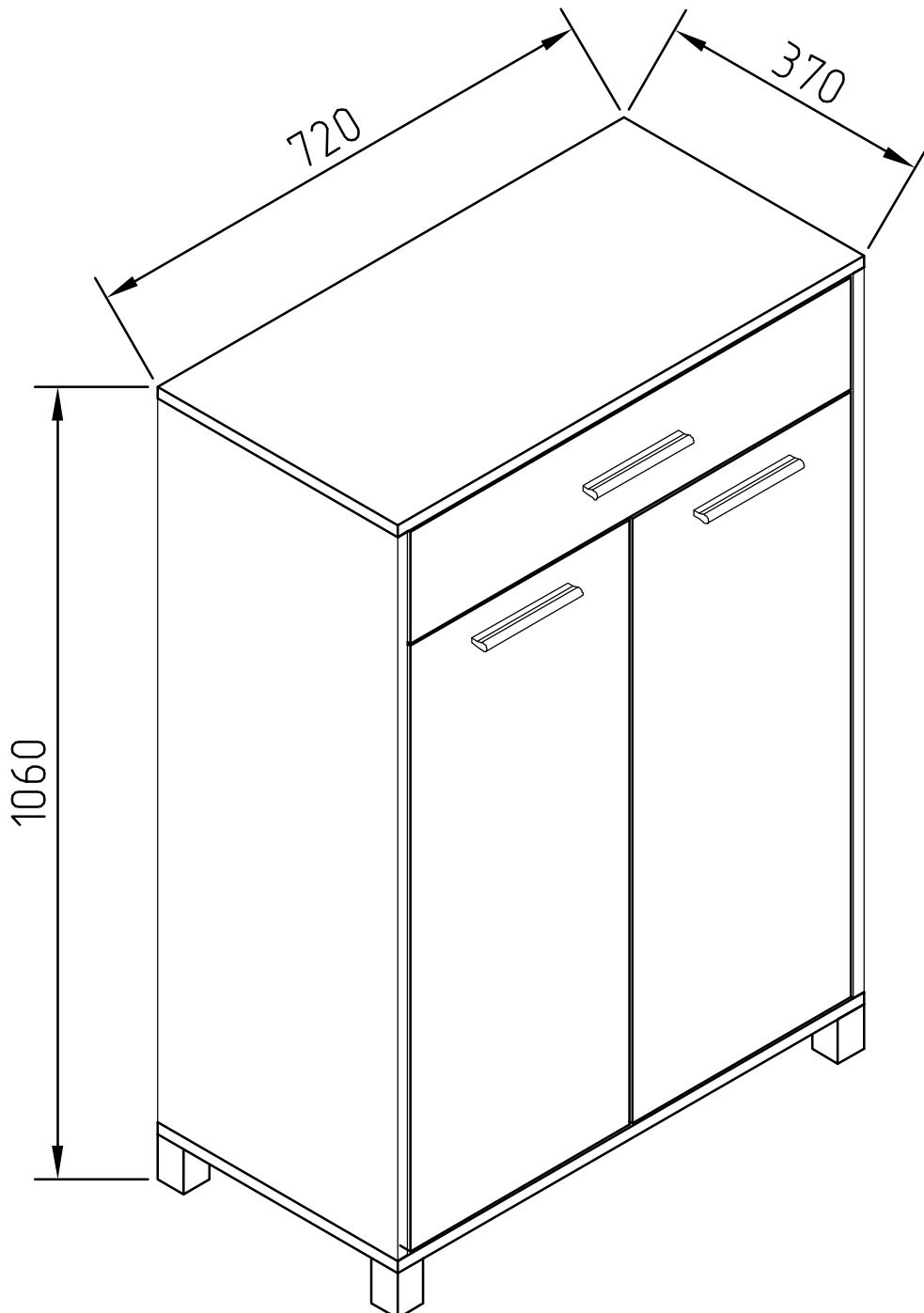
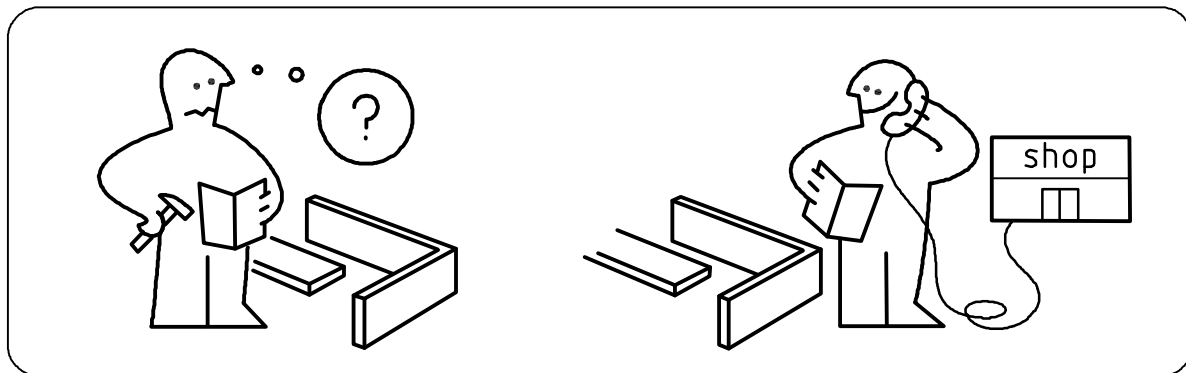
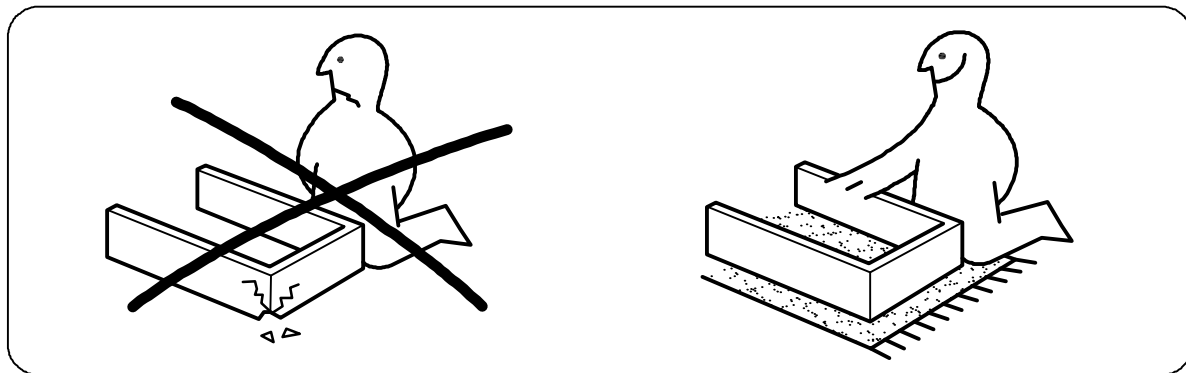
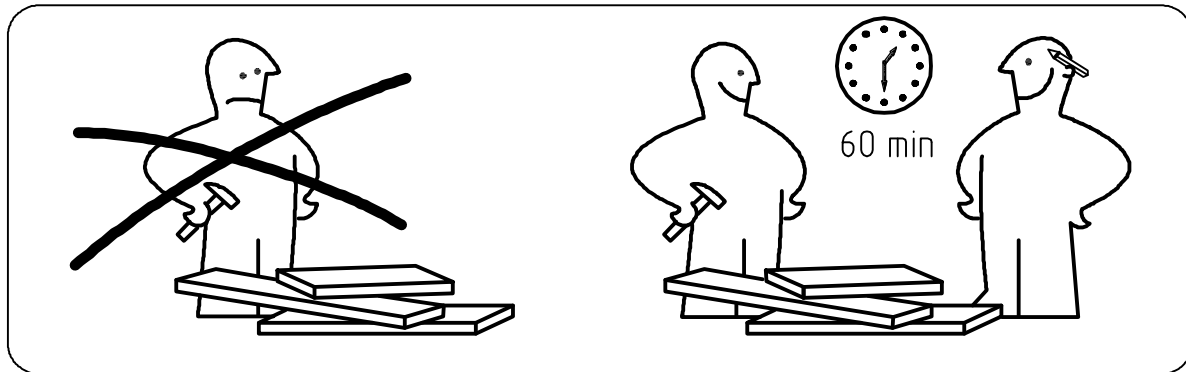
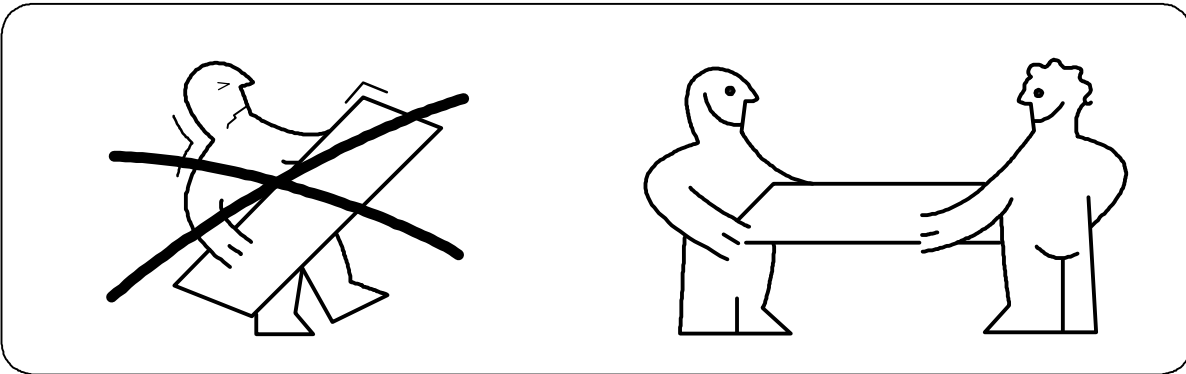
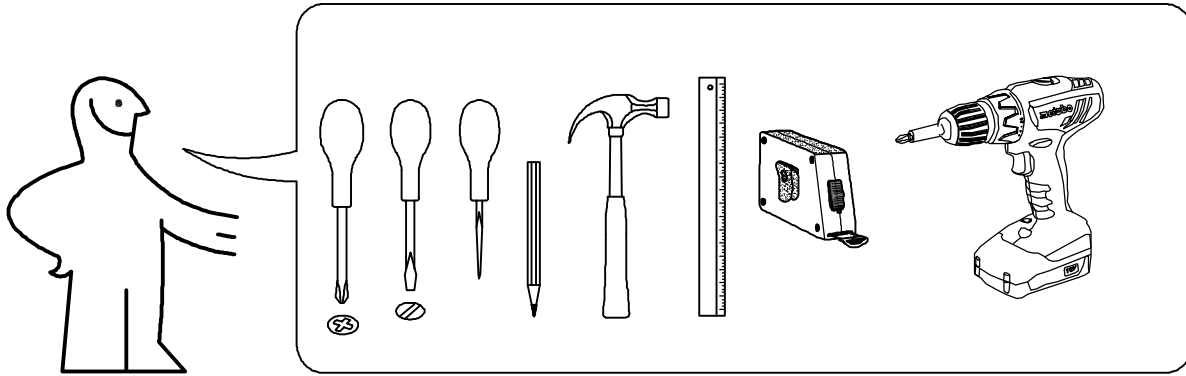
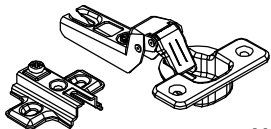
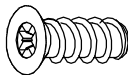

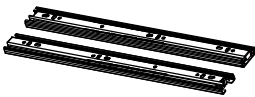
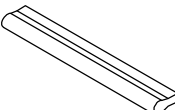

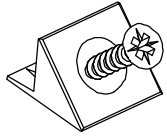
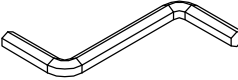
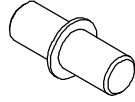
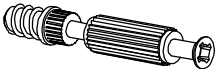

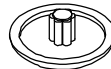
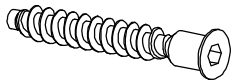


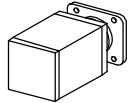
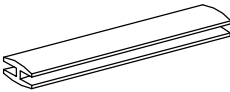



# Scarlet

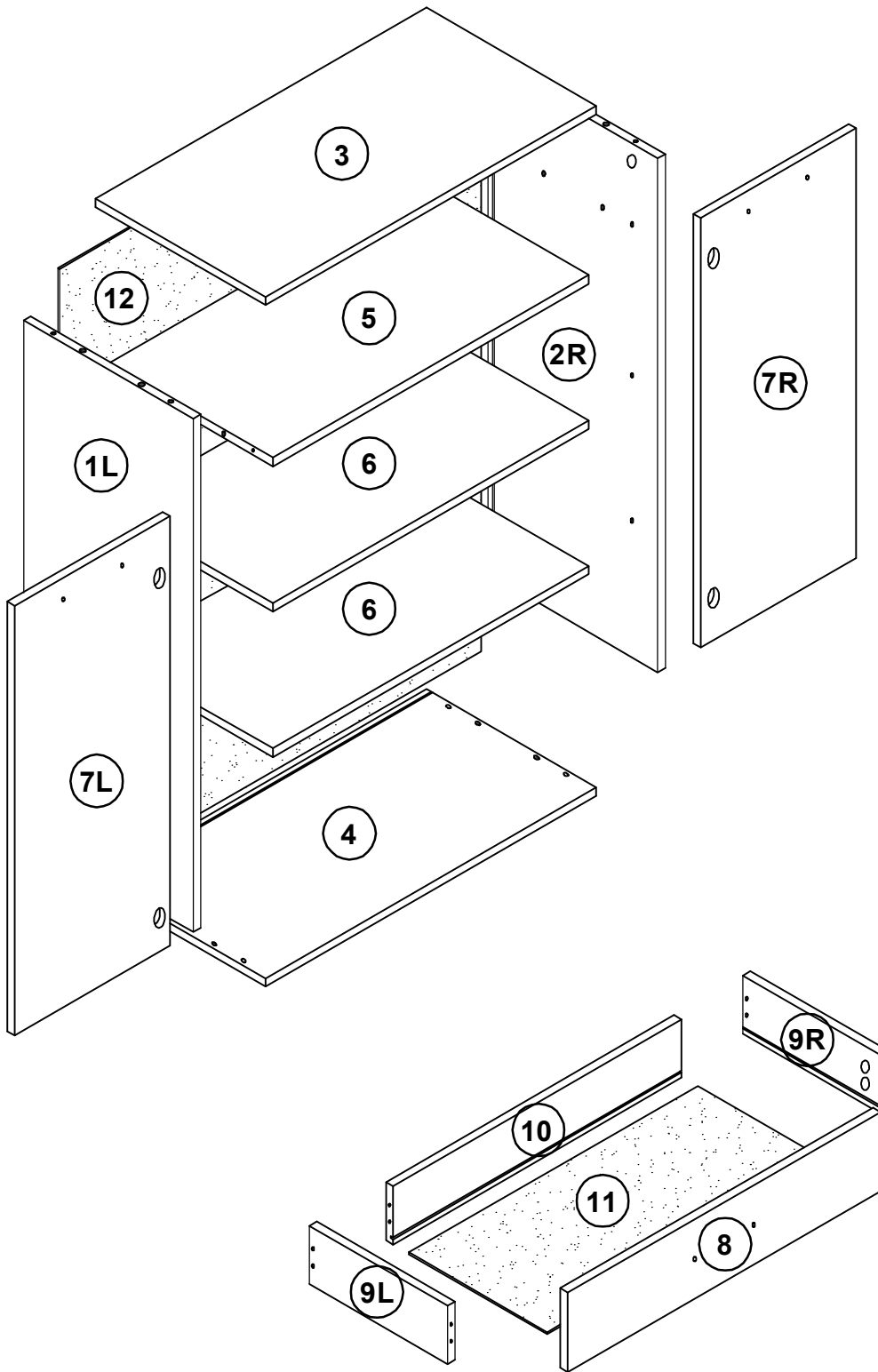
CHEST OF DRAWERS 2D 1DR



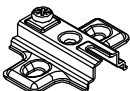

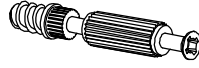
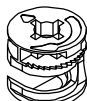


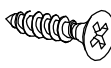


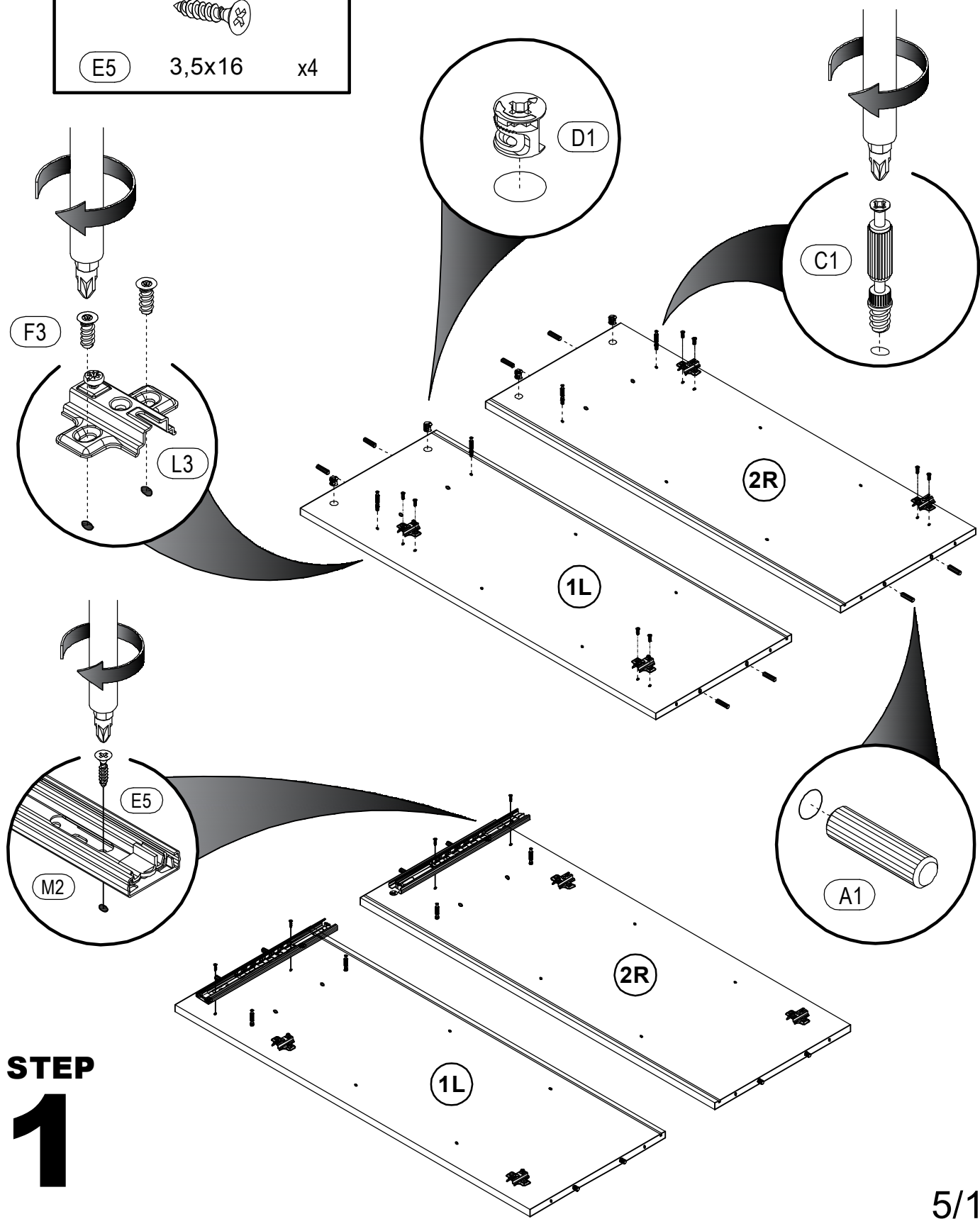
 L3 x4	 F3 6,3*13 x8	 E5 3,5x16 x32
 M2 L- 300mm x1	 I2 x3	 E-1 4*25mm x6
 H2 x14	 R4 №4 x1	 J1 5*16 mm x8
 C1 6x43mm x12	 D1 15/16 x12	 D Ø20mm x12
 B1 x8	 B Ø12mm x8	 A1 8*30mm x12
 K10 x4	 P10 L-966mm x1	 U3 x4

No	a*b	x	No	a*b	x
1	968x370	1	7	338x809	2
2	968x370	1	8	680x150	1
3	720x370	1	9	300x110	2
4	720x370	1	10	628x110	1
5	686x338	1	11	293x637	1
6	686x333	2	12	977x347	2

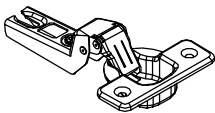
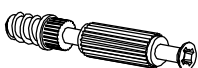


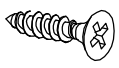


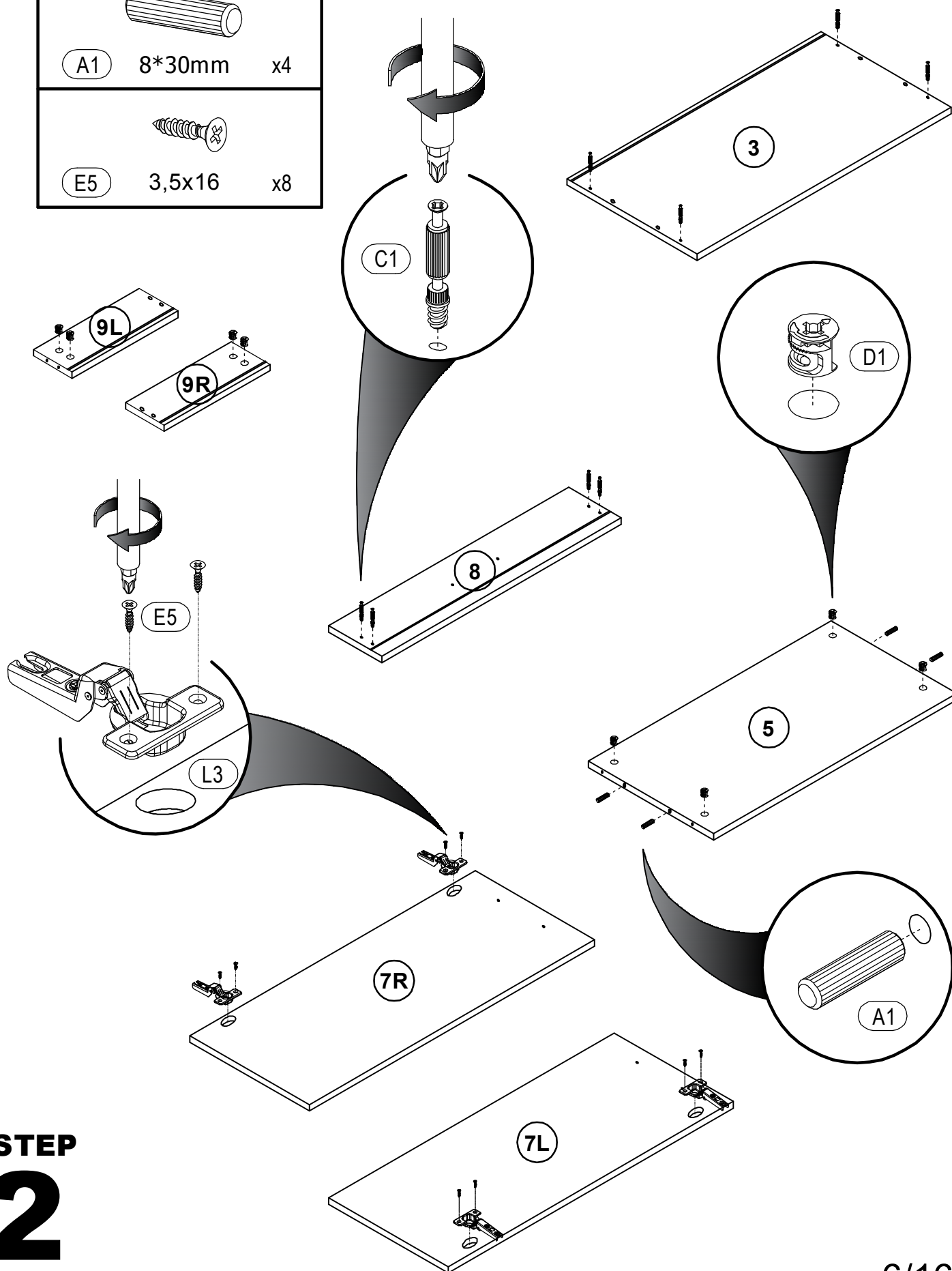


 <p>L3 x4</p>	 <p>F3 6,3*13 x8</p>	 <p>C1 6x43mm x4</p>
 <p>D1 15/16 x4</p>	 <p>A1 8*30mm x8</p>	 <p>M2 L- 300mm x1</p>
 <p>E5 3,5x16 x4</p>		

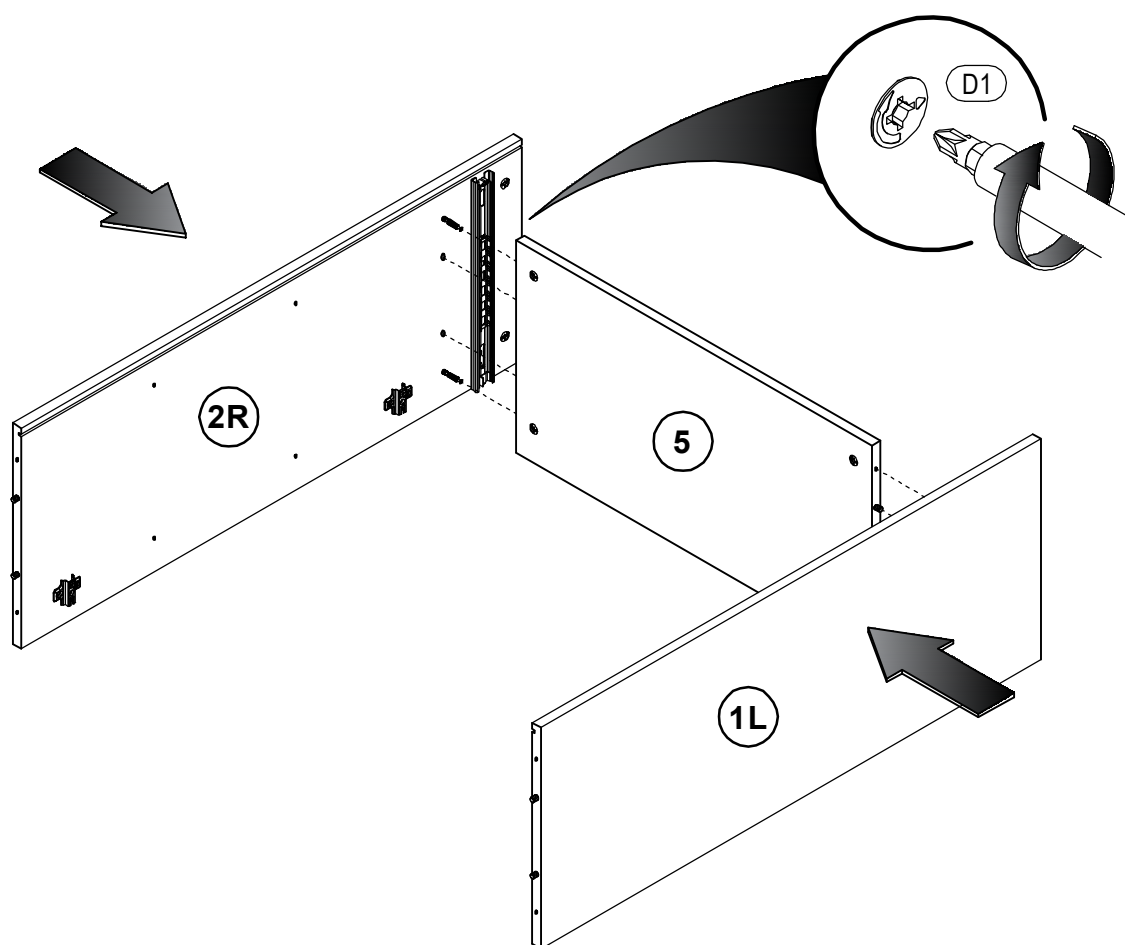


**STEP**  
**1**

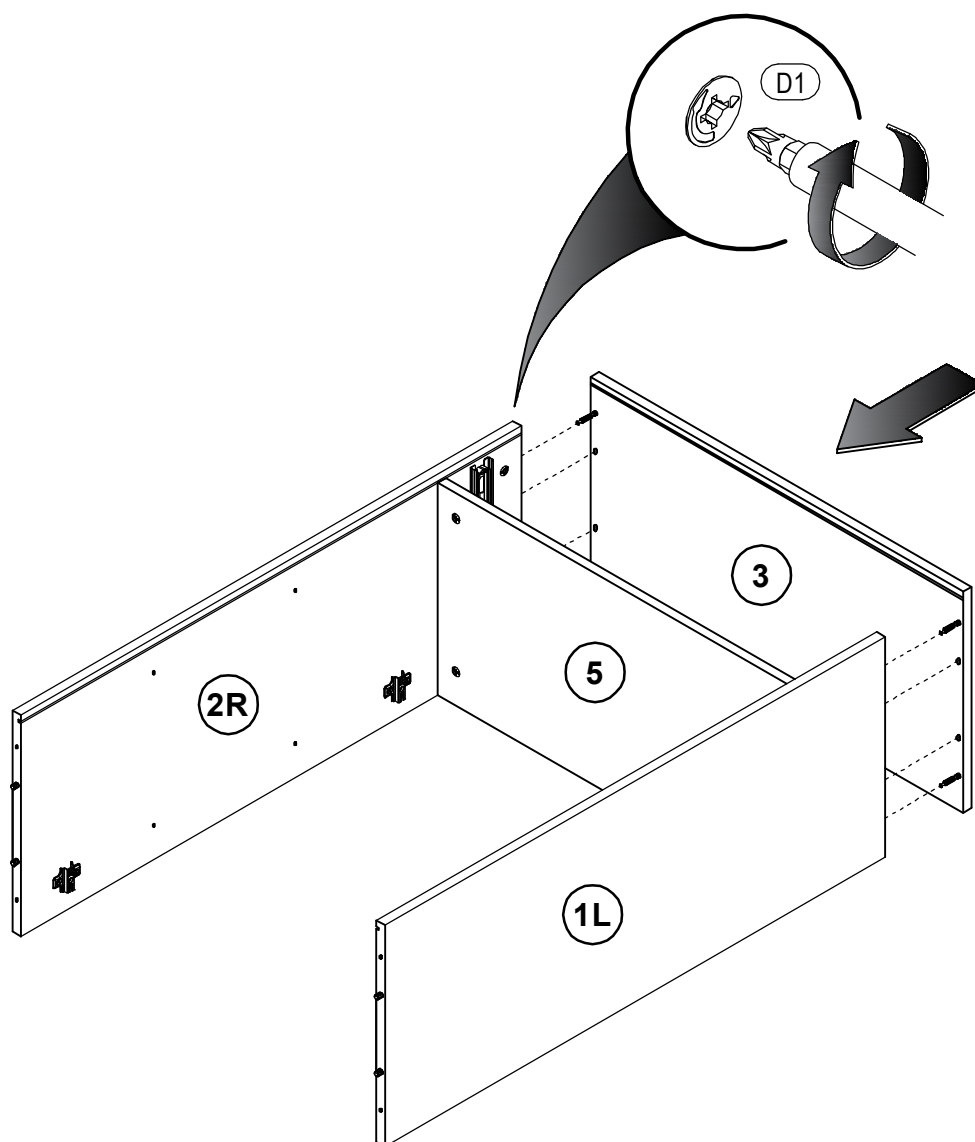
 <p>L3 x4</p>	 <p>C1 6x43mm x8</p>	 <p>D1 15/16 x8</p>
 <p>A1 8*30mm x4</p>	 <p>E5 3,5x16 x8</p>	



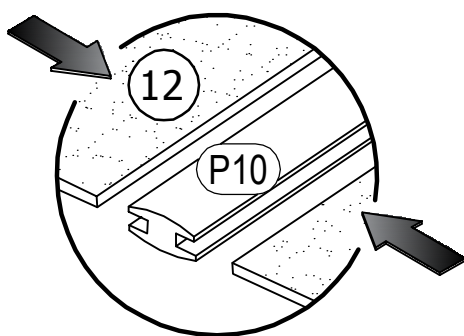
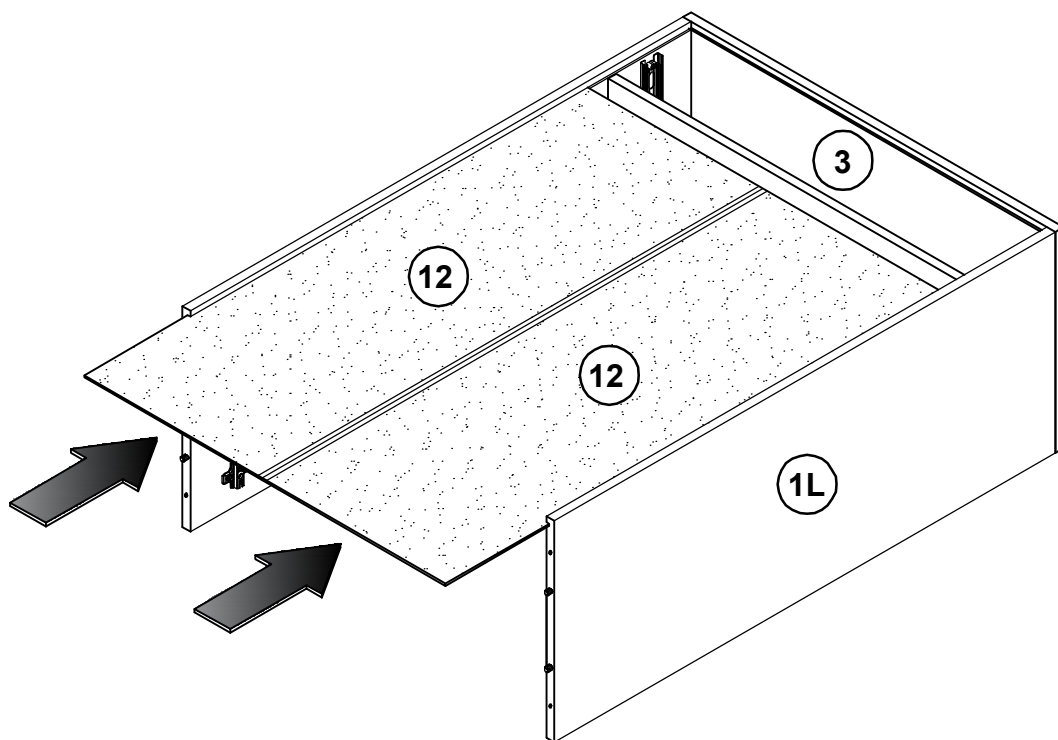
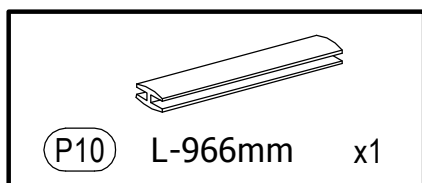
**STEP**  
**2**



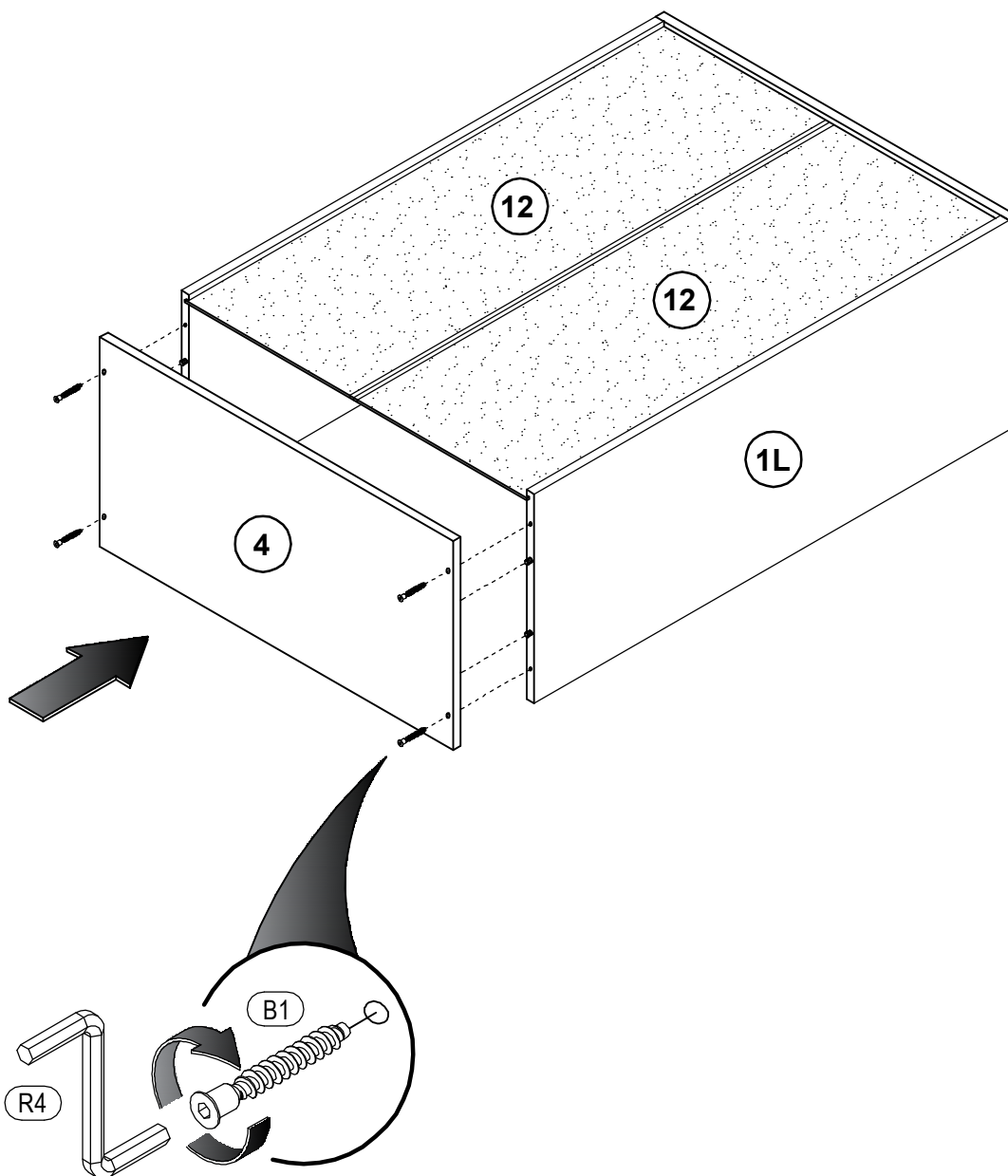
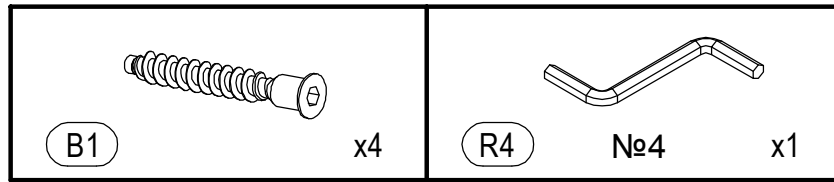
**STEP**  
**3**



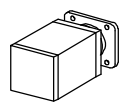
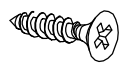
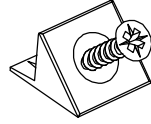

**STEP**  
**4**

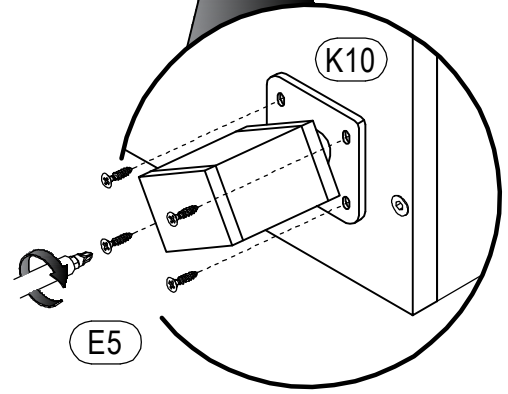
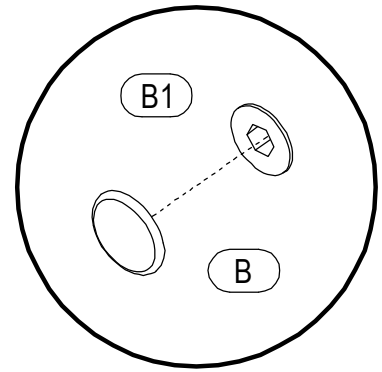
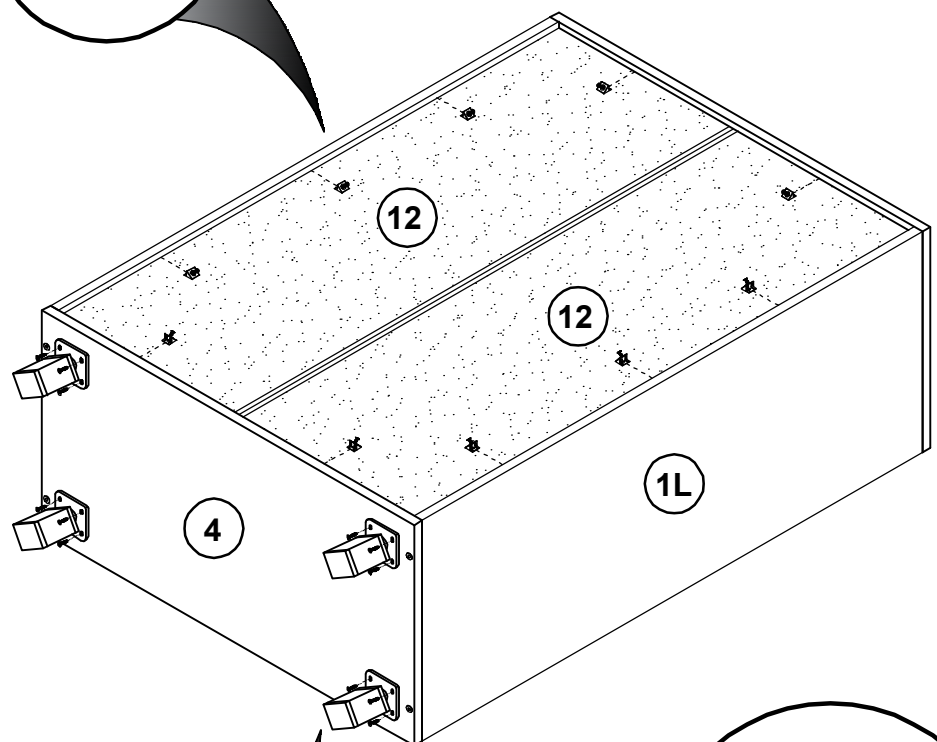
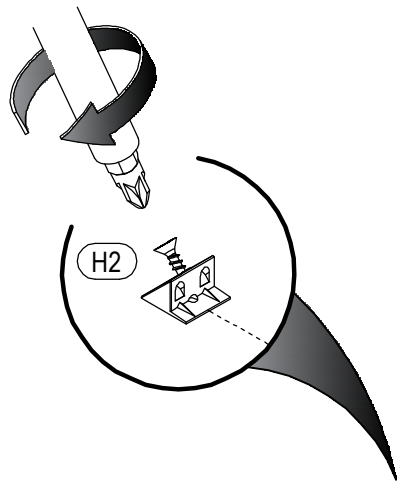


**STEP**  
**5**


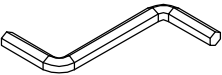



**STEP**  
**6**

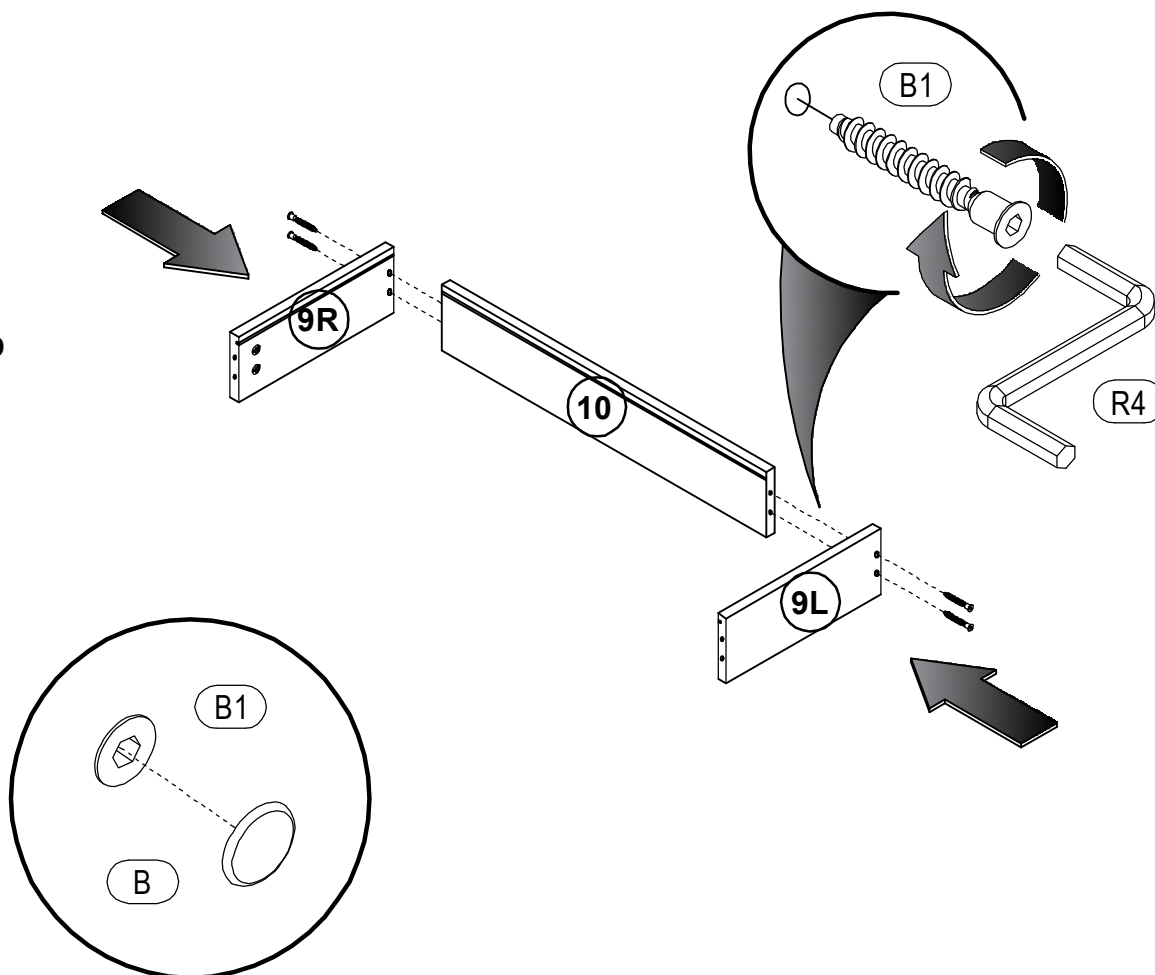
 K10 x4	 E5 3,5x16 x16	 H2 x10
 B Ø12mm x4		



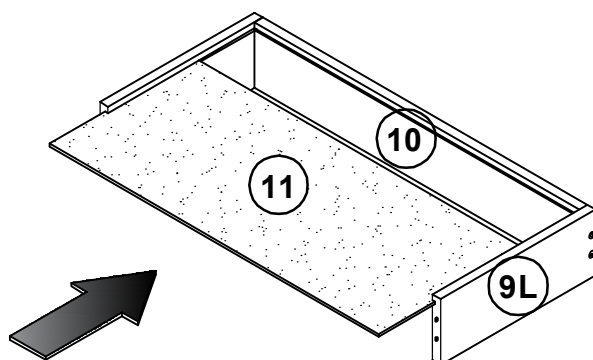
**STEP**  
**7**

 <p>(B1) x4</p>	 <p>(R4) №4 x1</p>	 <p>(B) Ø12mm x4</p>
--	---	---

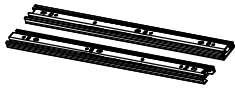

**STEP**  
**8**



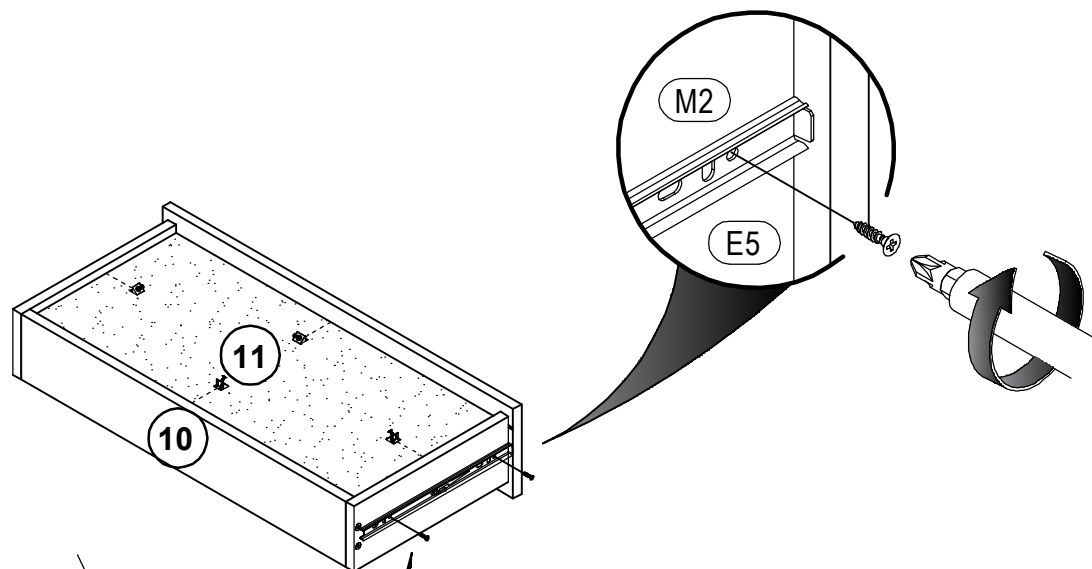
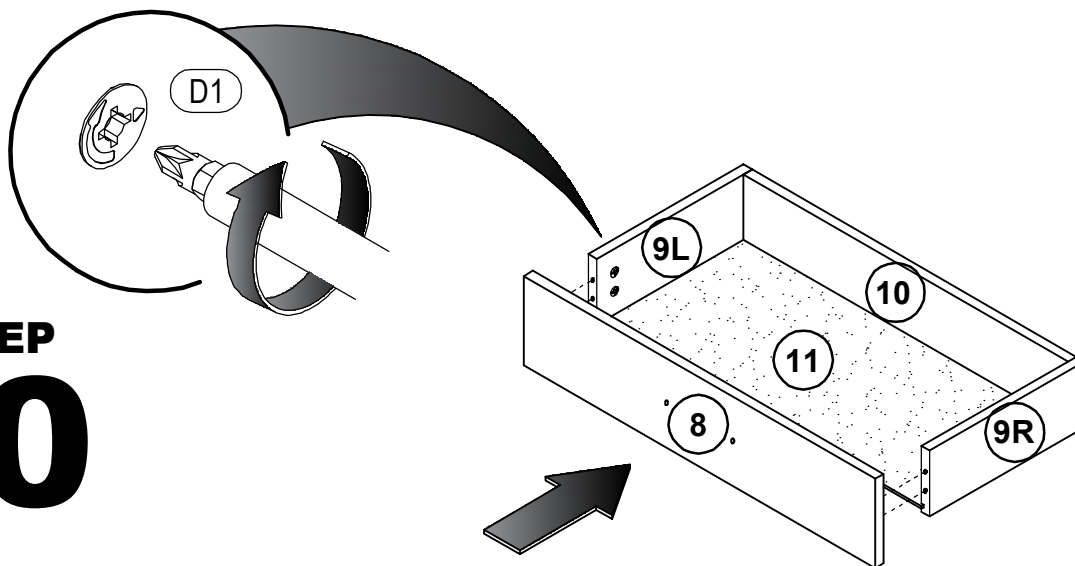
**STEP**  
**9**



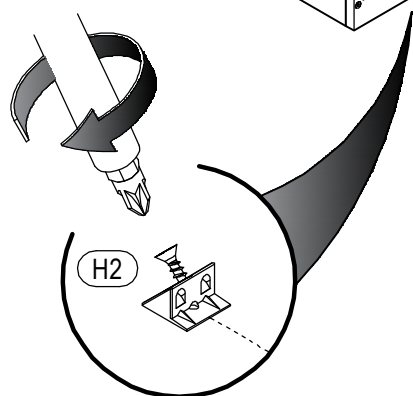


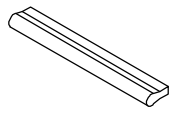
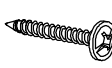
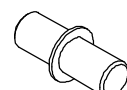
 M2 L- 300mm x1	 E5 3,5x16 x8
---	--

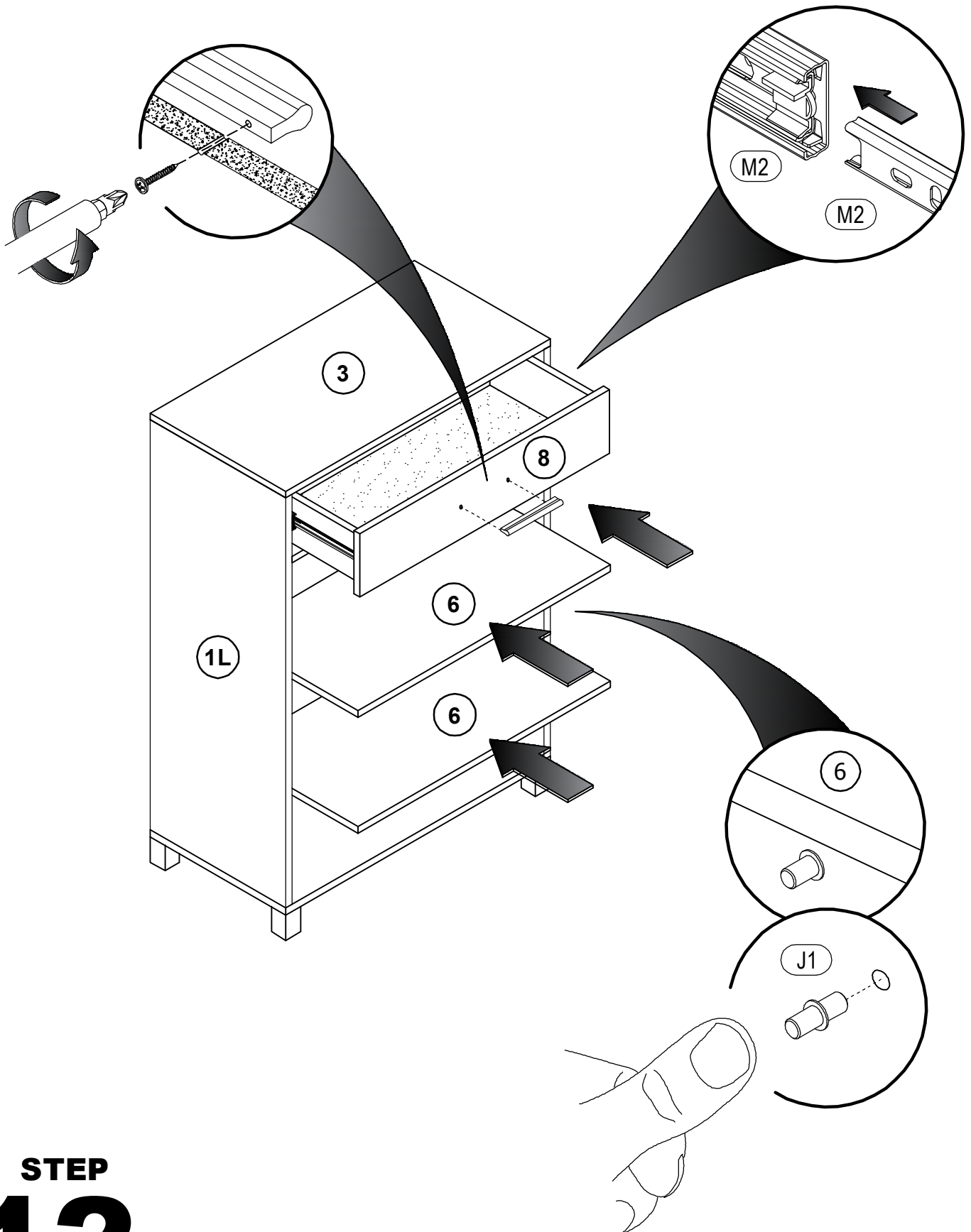
**STEP**  
**10**



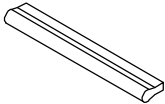

**STEP**  
**11**

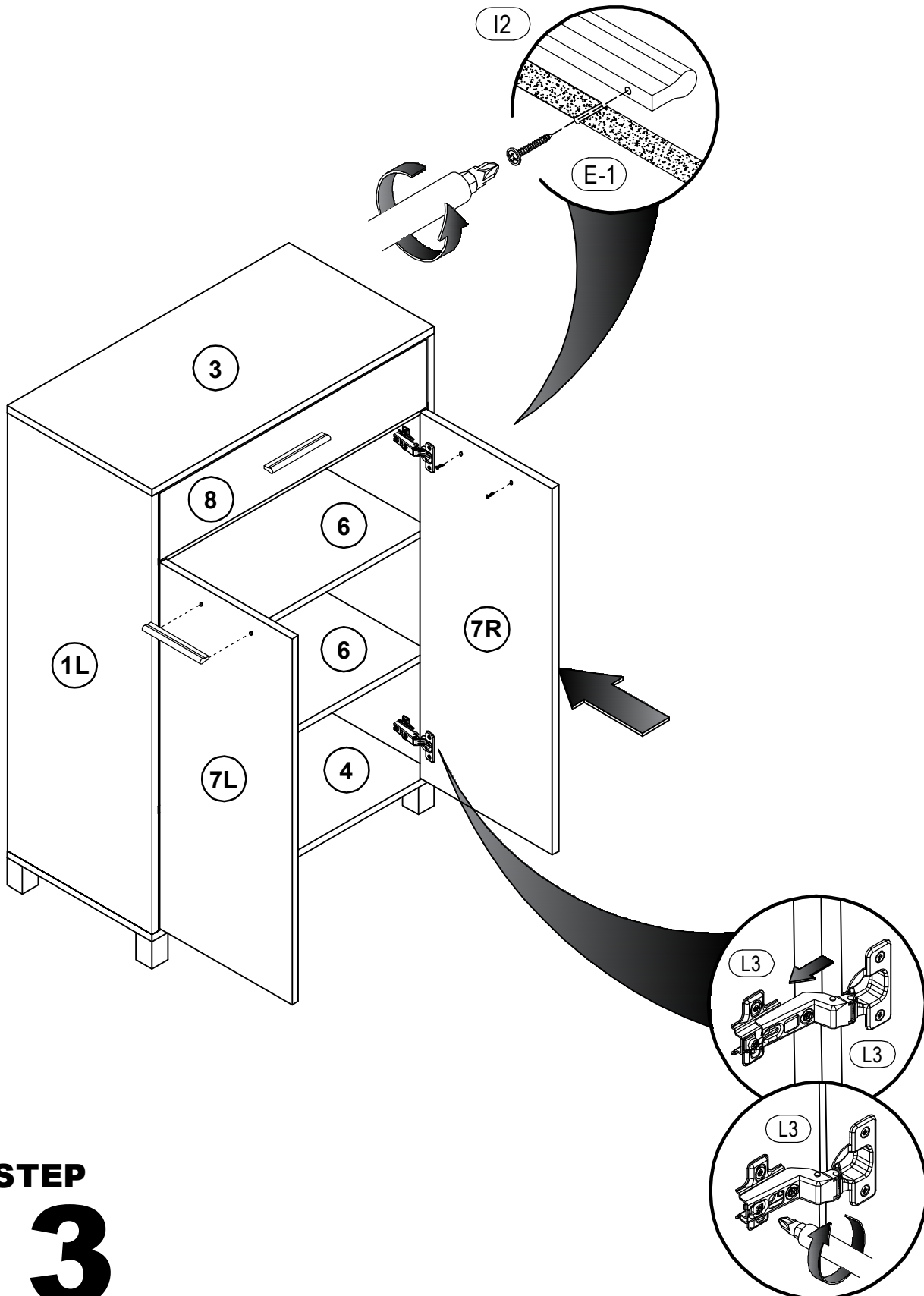


 <p>I2 x1</p>	 <p>E-1 4*25mm x2</p>	 <p>J1 5*16 mm x8</p>
--	--	--



**STEP**  
**12**

 <p>I2 x2</p>	 <p>E-1 4*25mm x4</p>
--	---



**STEP**  
**13**

